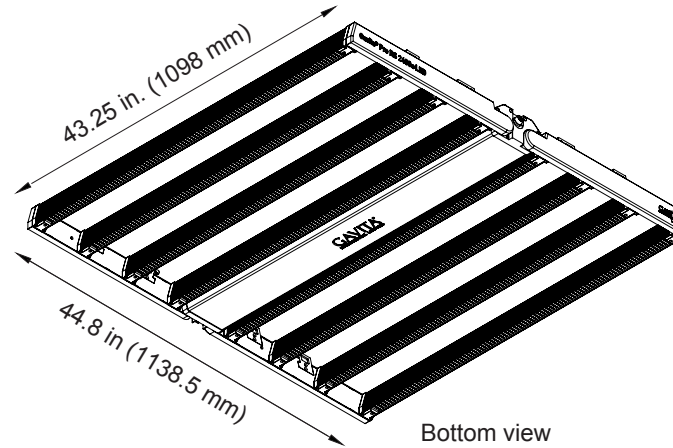
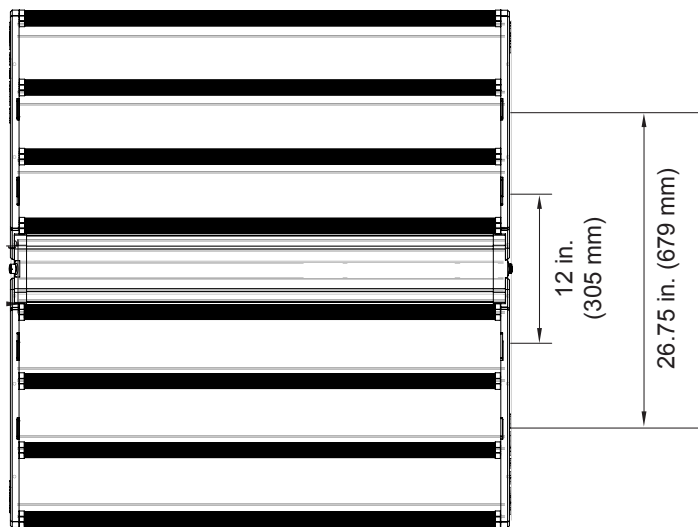


Gavita® Pro RS 2400e LED 208-480V

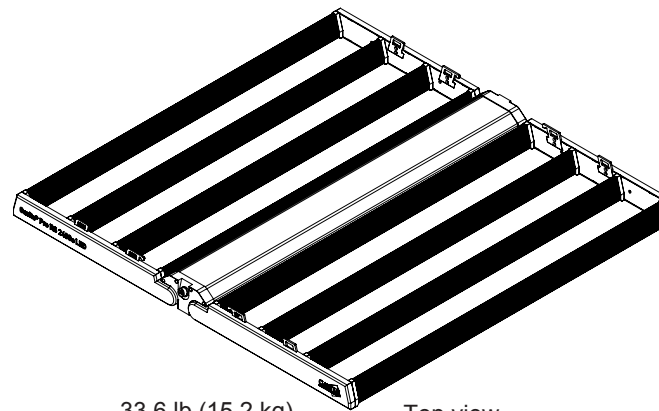
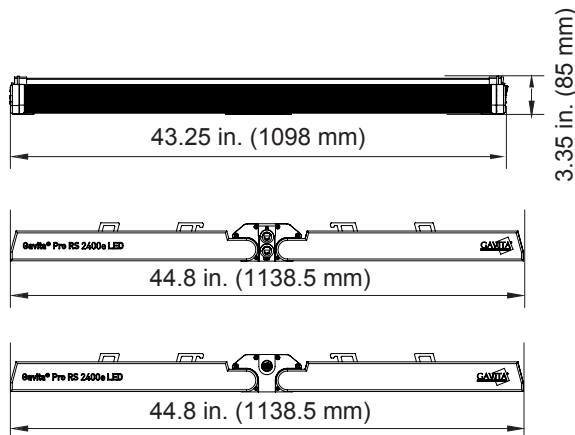
Item #HGC906409



SPECIFICATIONS



Bottom view



33.6 lb (15.2 kg)

Top view



INPUT VOLTAGE: 208-480 V	
INPUT WATTS: 750 W	
HEAT LOAD: 732.9 btu/hr*	
CURRENT: 3.6 A @ 208 V. 2.7 A @ 277 V. 1.56 A @ 480V	
FREQUENCY: 50/60 Hz	
POWER FACTOR (cosφ): > 0.95	
AMBIENT TEMP: 104° F (0-40° C)	
ENVIRONMENTAL RATING: IP66 Indoor Wet Location	
MOUNTING: Wire Hangers, Y-Hangers and Gavita Rail System Hanging Bracket	
DIMMING COMMUNICATIONS: 0-10V (EIA-485), RJ45, Dim to Off. Power monitoring with the Gavita EL3 Master Controller**	
DIMMING: 10% - 100% with Gavita EL3 Master Controller**	
CONTROLLED ENVIRONMENT: Intended for indoor (non-stacked), greenhouse	
LIGHTING SCHEME: Horizontal, Top Light use, Sole source or supplemental lighting	
WEIGHT: 33.6 lb	DIM: 44.8 in x 43.25 in x 3.3 in
CERTIFICATIONS: Conforms to ANSI/UL STD 1598. Certified to CSA STD C22.2 No. 250.0. Conforms to ANSI/CAN/UL STD 8800. Conforms to ANSI/UL STD 8750 Certified to CSA STD C22.2 No. 250.13	
WARRANTY: 5 Years***	



This document is not intended to be used for installation purposes.
We cannot cover all specific applications or anticipate all requirements.
All specifications are subject to change without notice.

HawthorneGC.com | Canada: HawthorneGC.ca

*Please consult HVAC Expert to calculate total heat load in your grow space.

** Sold Separately

***When purchased from an authorized Hawthorne dealer, this product is covered by a LIMITED WARRANTY, available at hawthornegc.com/warranties. You can also obtain the Terms of Sale and Limited Warranty by calling Hawthorne toll-free at: 1-888-478-6544 or writing Hawthorne at: Hawthorne Hydroponics LLC, 800 Port Washington Blvd. Port Washington, NY 11050, Attn: Customer Service.

HGC906409 Gavita® Pro RS 2400e LED 208-480 V Spec-Sheet- Last Updated 240516aSD